

Eco Preparation 1600 mm Sink with 2 Bowls - Left drain

ITEM # _____

MODEL # _____

NAME # _____

SIS # _____

AIA # _____


132905 (SL216SN)

 Sink Unit with 2 bowls left
hand drainer
500x500x250mm, 1600mm

Short Form Specification

Item No. _____

Worktop in 304 AISI stainless steel with front edge h=50mm. Rear upstand h=100mm. N.2 bowls 400x500x250h mm. Front and side covering panels in stainless steel. Rear panel in stainless steel. Square section legs 40x40mm in stainless steel with adjustable feet.

Main Features

- Sturdiness, stability and reliability of table accurately tested.

Construction

- Constructed entirely in stainless steel to offer maximum durability.
- Delivered in knock-down package.
- Wide range of taps are available to suit every need.
- Drainage area suitable for drying operations

Optional Accessories

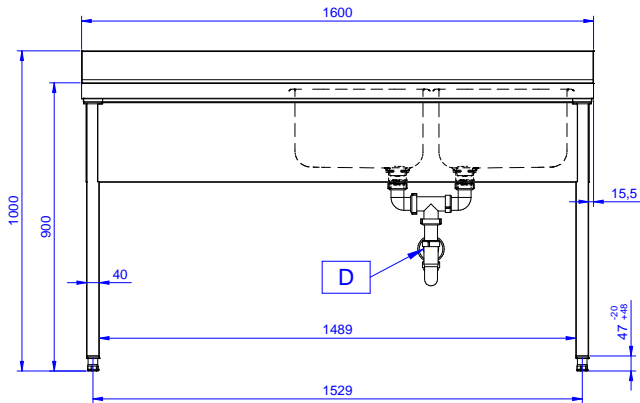
- Lower shelf for 1600mm tables and sinks PNC 855147
- Set of 4 wheels (2 with brake) d. 100mm for tables and sinks (total height on wheels= 993 mm) PNC 855150
- 3-sided underframe for 1600mm tables PNC 855154
- Single plastic drain syphon 1,5 " for work tables with bowl PNC 855306
- Elbow operated mixer tap with spout 3/4", single hole PNC 855322
- Elbow operated mixer tap with short spout 3/4", single hole PNC 855323
- Foot operated mixer tap (hot and cold) with spout 3/4" PNC 855328

APPROVAL: _____

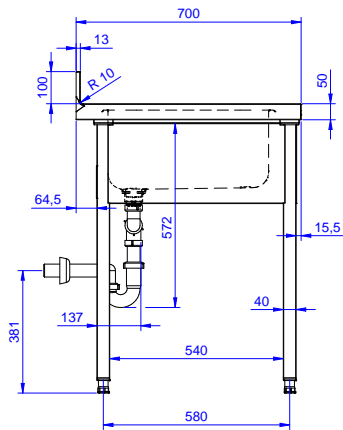
Key Information:

External dimensions, Width:	1600 mm
132905 (SL216SN)	1600 mm
External dimensions, Depth:	700 mm
External dimensions, Height:	900 mm
Upstand Dimensions, Height:	100 mm
Upstand Dimensions, Depth:	13 mm
Upstand Dimensions, Radius:	R=10
Bowls number	2
Bowl dimensions	400X500XH250
Net weight:	48 kg

Front



Side



D = Drain

Top

